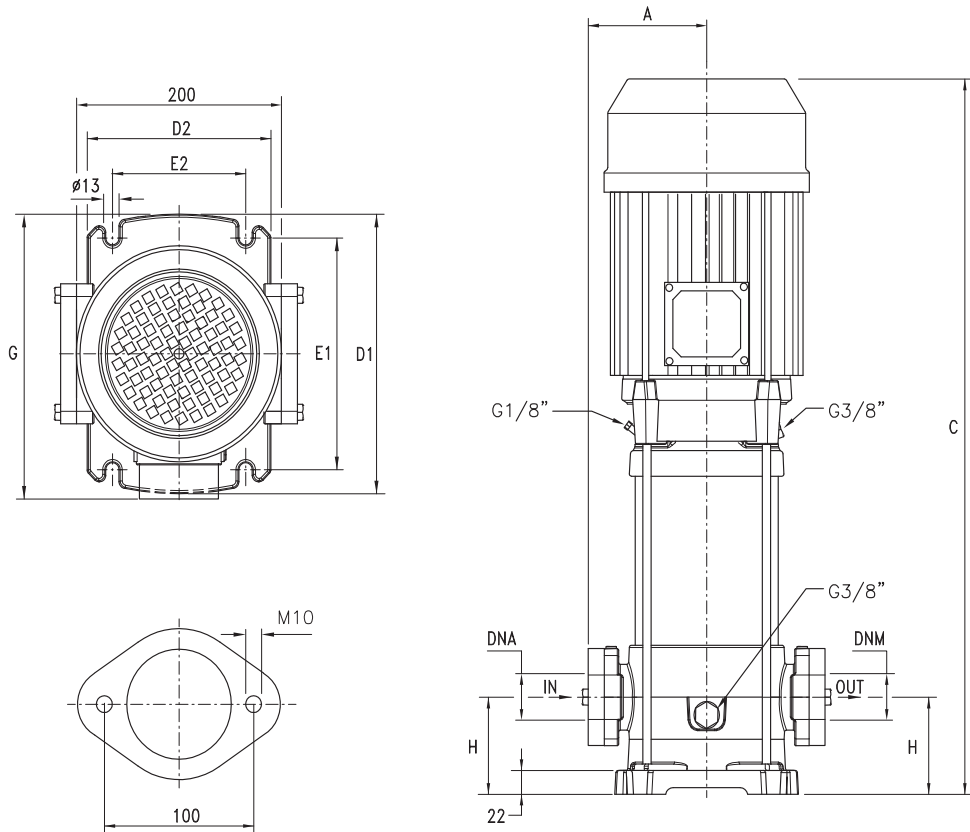


# ULTRA SV/SL

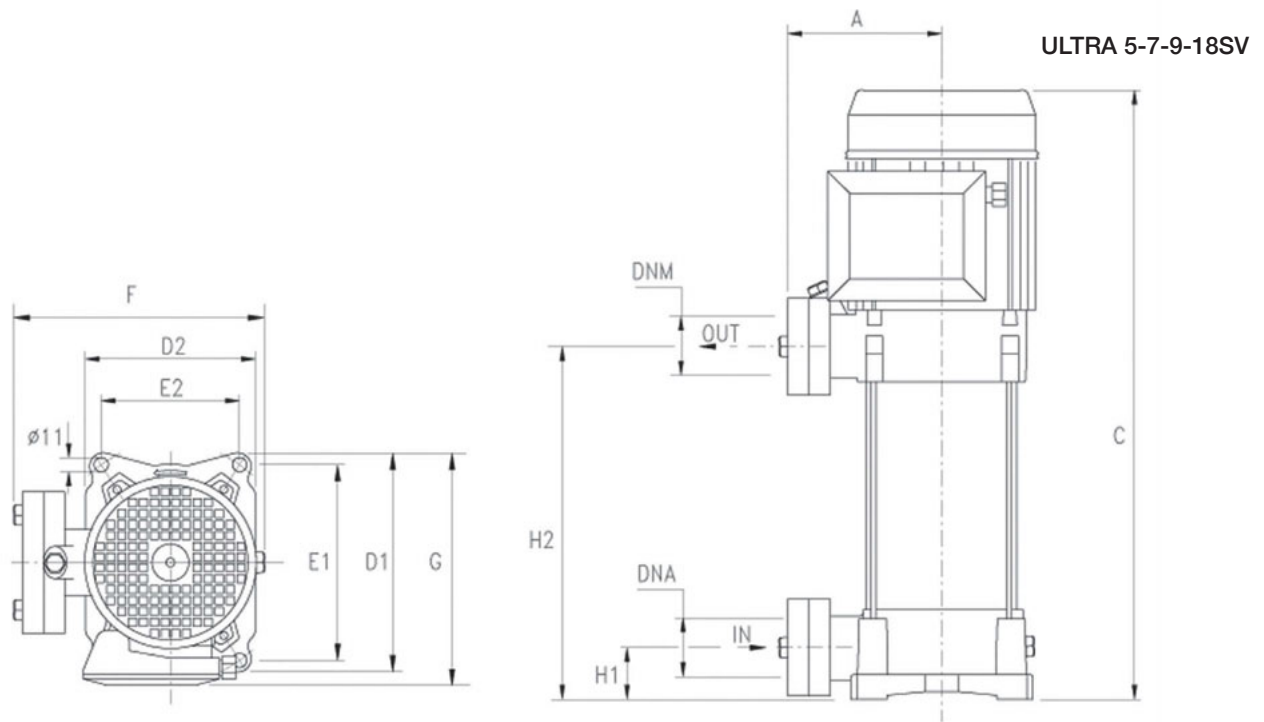
## ULTRA 9-18 SL



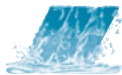
Modello - Model	Dimensioni - Dimensions								Peso Weight kg	DNA G	DNM G
	A	C	D1	D2	E1	E2	G	H			
U 9SL-200/4	118	490	260	180	215	130	248	80	29.9	1" 1/2	1" 1/2
U 9SL-250/5	118	520	260	180	215	130	248	80	30.9		
U 9SL-300/6	118	M 595 T 550	260	180	215	130	M 256 T 248	80	33.8		
U 9SL-400/7	118	625	260	180	215	130	256	80	37.6		
U 9SL-450/8	118	688	260	180	215	130	271	80	41.3		
U 9SL-500/9	118	718	260	180	215	130	271	80	42.1		
U 9SL-550/10	118	748	260	180	215	130	271	80	45.5		
U 18SL-250/3	118	492	260	180	215	130	248	90	33.5	2"	2"
U 18SL-400/4	118	575	260	180	215	130	256	90	36.1		
U 18SL-450/5	118	646	260	180	215	130	271	90	40.4		
U 18SL-550/6	118	683	260	180	215	130	271	90	44.4		
U 18SL-750/8	118	804	260	180	215	130	280	90	54.3		
U 18SL-900/9	118	842	260	180	215	130	280	90	54.6		
U 18SL-850/10	118	1020	260	180	215	130	307	90	68.6		
U 18SL-1000/11	118	1057	260	180	215	130	307	90	75.6		



ELETTROPOMPE MULTIGIRANTI VERTICALI CON IDRAULICA INOX AISI 304  
 SS AISI 304 HYDRAULICS VERTICAL MULTISTAGE ELECTRIC PUMPS



Modello Model	Dimensioni - Dimensions										Peso Weight kg	DNA G	DNM G
	A	C	D1	D2	E1	E2	F	G	H1	H2			
U 5SV-120/4	135	389	204	162	178.5	125	229	213	40	178	19.5	1" 1/4	1" 1/4
U 5SV-150/5	135	443	204	162	178.5	125	229	215	40	208.5	22.1		
U 5SV-180/6	135	467	204	162	178.5	125	229	215	40	232.5	23.3		
U 5SV-200/7	135	491	204	162	178.5	125	229	215	40	256.5	25.4		
U 5SV-250/8	135	515	204	162	178.5	125	229	215	40	280.5	26.2		
U 5SV-280/9	135	M 584 T 539	204	162	178.5	125	229	M 230 T 215	40	304.5	28.8		
U 5SV-300/10	135	M 608 T 563	204	162	178.5	125	229	M 230 T 215	40	328.5	29.5		
U 5SV-350/11	135	626	204	162	178.5	125	229	230	40	352.5	32.8		
U 7SV-180/4	135	419	204	162	178.5	125	229	215	40	184.5	22.1		
U 7SV-250/5	135	443	204	162	178.5	125	229	215	40	208.5	24.5		
U 7SV-300/6	135	467	204	162	178.5	125	229	215	40	232.5	27.3		
U 7SV-350/7	135	552	204	162	178.5	125	229	230	40	256.5	28.0		
U 7SV-400/8	135	576	204	162	178.5	125	229	230	40	280.5	31.2		
U 7SV-450/9	135	633	204	162	178.5	125	235	250	40	304.5	36.0		
U 7SV-550/10	135	657	204	162	178.5	125	235	250	40	328.5	39.4		
U 9SV-200/4	135	443	204	162	178.5	125	229	215	40	208.5	23.9		
U 9SV-250/5	135	473	204	162	178.5	125	229	215	40	238.5	24.8		
U 9SV-300/6	135	M 548 T 503	204	162	178.5	125	229	M 230 T 215	40	268.5	27.9		
U 9SV-400/7	135	578	204	162	178.5	125	229	230	40	298.5	31.2		
U 9SV-450/8	135	641	204	162	178.5	125	235	250	40	328.5	35.9		
U 9SV-500/9	135	671	204	162	178.5	125	235	250	40	358.5	36.7		
U 9SV-550/10	135	701	204	162	178.5	125	235	250	40	388.5	40.0		
U 18SV-250/3 T	135	451	204	162	178.5	125	229	215	50	213.5	28.6		
U 18SV-400/4 T	135	534	204	162	178.5	125	229	230	50	251	31.1		
U 18SV-450/5 T	135	605	204	162	178.5	125	235	250	50	288.5	36.2		
U 18SV-550/6 T	135	642	204	162	178.5	125	235	250	50	326	40.0		
U 18SV-750/8 T	135	763	204	162	178.5	125	255	253	50	401	50.4		
U 18SV-900/9 T	135	801	204	162	178.5	125	255	253	50	439	51.0		



# ULTRA V/L



V



L

ULTRA V con bocche contrapposte, ULTRA L con bocche in linea.  
*ULTRA V with top and bottom bores, ULTRA L with in-line bores.*

**GENERALITA' / FEATURES**

Pompe centrifughe multistadio verticali con corpo pompa in ghisa e parte idraulica in Noryl®. Movimentazione di liquidi non carichi nei settori civili, agricoli ed industriali; sistemi di pressurizzazione; irrigazione; acque potabili o con glicole in soluzione; trattamento acque; industria alimentare; riscaldamento e condizionamento; sistemi di lavaggio.

*Stainless steel multistage vertical pumps. Pumping of clean non-loaded fluids in the domestic, agricultural and industrial sectors; pressurizing systems; irrigation; drinking and glycol water; water treatment; food industry; heating and air conditioning; washing system.*

**MATERIALI / MATERIALS**

- Flangie aspirazione/mandata corpo pompa: ghisa
- Camicia, disco tenuta meccanica: acciaio cromo-nickel AISI 304
- Giranti, diffusori: Noryl® rinforzato con fibra di vetro (GFN2V)
- Albero: acciaio cromo-nickel AISI 303
- Supporto motore: alluminio stampato
- Tenuta meccanica: ceramica-grafite fino a 6 stadi / grafite-carburo di silicio da 7 stadi
- Cuscinetto intermedio guida-albero: ceramica-carburo di tungsteno
- Guarnizioni corpo pompa: NBR
- *Flanged suction pump body: cast iron*
- *Flanged delivery pump body: cast iron*
- *Shell, mechanical seal disc holder: chromo-nickel steel AISI 304*
- *Impellers, diffusers: Noryl® reinforced with fiber glass (GFN2V)*
- *Pump shaft: AISI 303 chromo-nickel steel*
- *Motor bracket: aluminum alloy*
- *Mechanical seal: ceramic-graphite up to 6 stages - graphite-silicon carbide from 7 stages*
- *Intermediate shaft guiding stage bush: ceramic-tungsten carbide*
- *Pump body gasket: NBR*

**MOTORE / MOTOR**

- Motore a 2 poli ad induzione
- Monofase 230V – 50 Hz dotati di protezione termica
- Trifase 230/400 V – 50 Hz
- Isolamento classe F
- Protezione IP 54
- *2 Pole induction Motor*
- *Single Phase 230V - 50Hz with thermal protector*
- *Three Phase 230-400V - 50 Hz*
- *Insulation class F*
- *Protection degree IP 54*

**LIMITI DI IMPIEGO / OPERATING CONDITIONS**

- Portata fino a 24 m<sup>3</sup>/h
- Prevalenza fino a 125 m
- Pressione massima di esercizio 15 bar
- Temperatura d'esercizio del liquido pompato: da -15 a 50°C
- Temperatura ambiente fino a 40°C
- *Capacity: up to 24 m<sup>3</sup>/h*
- *Total Head: up to 125 m*
- *Maximum working pressure: 15 bar*
- *Maximum liquid temperature: from -15 up to 50 °C*
- *Ambient temperature: up to 40 °C*



ELETTROPOMPE MULTIGIRANTI VERTICALI CON GIRANTE E DIFFUSORI NORYL®  
 NORYL® IMPELLERS AND DIFFUSERS VERTICAL MULTISTAGE ELECTRIC PUMPS

CARATTERISTICHE TECNICHE / TECHNICAL PERFORMANCE

Modello - Model		P2		P1 (kW)		Ampere		Q (m³/h - l/min)									
1-	3-	(HP)	(kW)	1-	3-	1- 1x230V 50Hz	3- 3x400V 50Hz	0	1.8	2.4	3.6	4.8	6	7.2	8.4		
								0	30	40	60	80	100	120	140		
230V - 50Hz		230/400V - 50Hz		H (m)													
U 5V-120/4 •	U 5V-120/4 T •	1.2	0.9	1.13	1.13	5.2	2.5	45.3	41.3	39.6	35.6	30.8	24.9	17.6	6.4		
U 5...-150/5	U 5...-150/5 T	1.5	1.1	1.47	1.39	6.8	2.8	56.8	53	51	46.1	40.1	33.3	24.8	11.5		
U 5...-180/6	U 5...-180/6 T	1.8	1.3	1.7	1.62	7.7	3	69.3	64.4	62	55.6	48.2	39.6	28.8	12		
U 5...-200/7	U 5...-200/7 T	2	1.5	2	1.86	9	3.4	80.3	73.6	71	64.5	56.1	46	33.4	12.5		
U 5...-250/8	U 5...-250/8 T	2.5	1.85	2.37	2.17	10.7	4.1	91.4	85	81.8	74.3	65.5	54.7	40.4	19.1		
U 5...-280/9	U 5...-280/9 T	2.8	2.1	2.6	2.4	11.7	4.4	102.1	94.6	90.7	81.6	71	58.5	42.3	20.1		
U 5...-300/10	U 5...-300/10 T	3	2.2	2.84	2.73	12.8	4.9	112.7	103.9	99.9	89.8	78.25	64	46.4	21		
U 5...-350/11	U 5...-350/11 T	3.5	2.57	2.95	2.89	13.3	5	122	111.2	106.3	95.6	83.1	67.6	48.2	22		

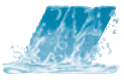
• Disponibile solo in versione V / Available V version only

Modello - Model		P2		P1 (kW)		Ampere		Q (m³/h - l/min)									
1-	3-	(HP)	(kW)	1-	3-	1- 1x230V 50Hz	3- 3x400V 50Hz	0	2.4	3.6	4.8	6	7.2	8.4	9.6	10.2	
								0	40	60	80	100	120	140	160	170	
230V - 50Hz		230/400V - 50Hz		H (m)													
U 7...-180/4	U 7...-180/4 T	1.8	1.3	1.83	1.71	8.3	3.2	49.5	47.4	45.3	42.5	39.2	34.8	29.4	22.6	16.9	
U 7...-250/5	U 7...-250/5 T	2.5	1.85	2.39	2.15	10.9	4.2	62.6	60.6	58.2	55.1	51.5	45.8	39	29.8	21.5	
U 7...-300/6	U 7...-300/6 T	3	2.2	2.68	2.63	12.2	5	74.8	71.5	68.3	64.5	59.3	53	44.6	34.5	26.7	
-	U 7...-350/7 T	3.5	2.57	-	3.04	-	5.5	87.2	83.3	79.3	74.6	68.9	61.9	52.5	41	32.2	
-	U 7...-400/8 T	4	3	-	3.6	-	6.8	99.5	96.1	92.6	87.9	81.9	74.6	64.4	51	43	
-	U 7...-450/9 T	4.5	3.31	-	4.09	-	7	113.2	109.7	105.4	100.1	93.5	84.8	73.6	59.6	49	
-	U 7...-550/10 T	5.5	4	-	4.6	-	8.3	127	123.8	119.6	114.1	106.6	97.6	86	70.3	61	

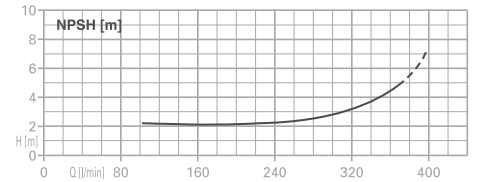
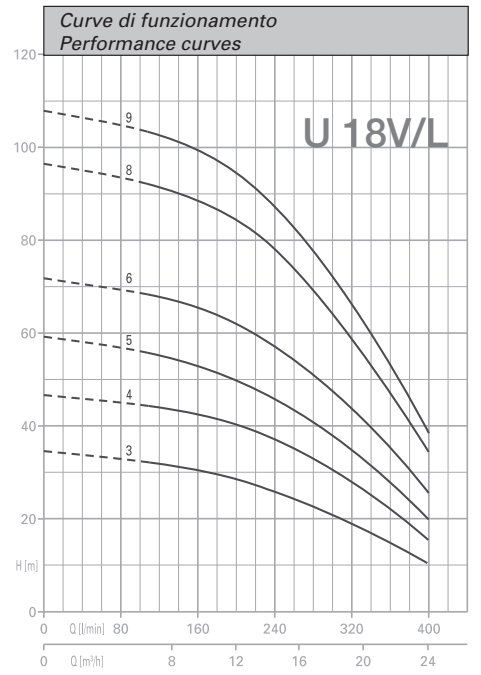
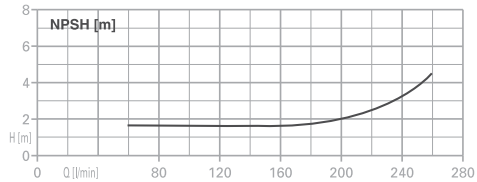
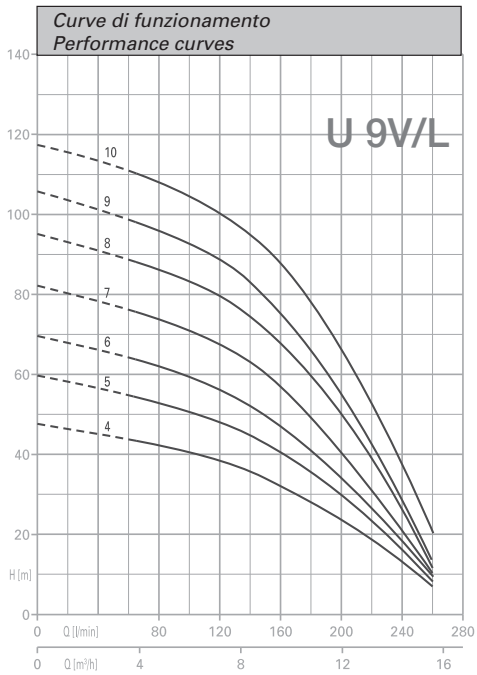
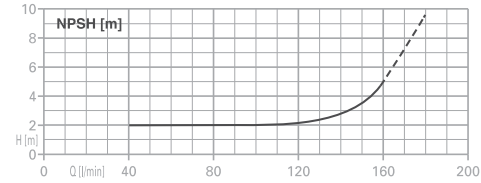
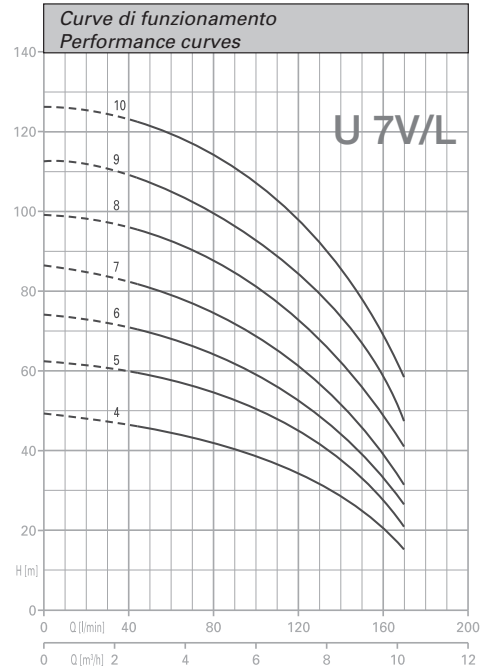
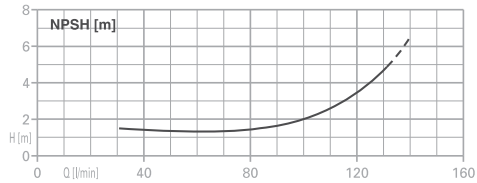
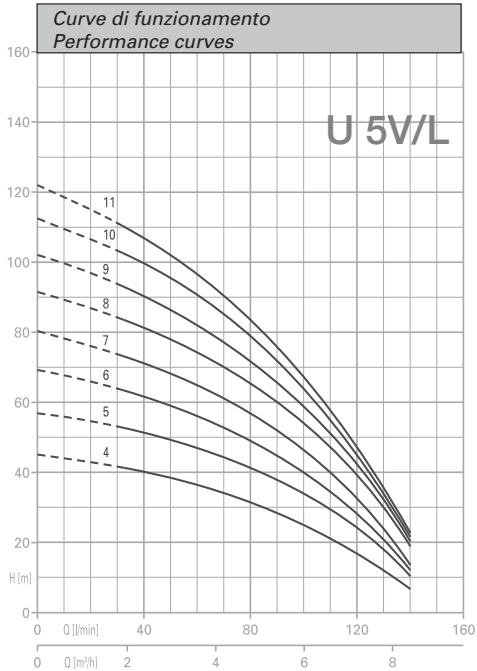
Modello - Model		P2		P1 (kW)		Ampere		Q (m³/h - l/min)											
1-	3-	(HP)	(kW)	1-	3-	1- 1x230V 50Hz	3- 3x400V 50Hz	0	3.6	4.8	6	7.2	8.4	9.6	10.8	12	13.2	14.4	15.6
								0	60	80	100	120	140	160	180	200	220	240	260
230V - 50Hz		230/400V - 50Hz		H (m)															
U 9...-200/4	U 9...-200/4 T	2	1.5	1.88	1.77	8.4	3.3	47.1	43.5	42	40.5	38.3	35.7	32.4	28.4	23.8	18.9	13.3	7.3
U 9...-250/5	U 9...-250/5 T	2.5	1.85	2.32	2.18	10.6	4.3	59.2	54.4	52.4	50.4	47.9	44.8	40.5	35.5	29.8	23.5	16.3	8.5
U 9...-300/6	U 9...-300/6 T	3	2.2	2.74	2.64	12.2	4.8	69.4	63.7	61.4	58.8	55.6	51.6	46.5	40.3	33.5	25.4	17	9
-	U 9...-400/7 T	4	3	-	3.09	-	5.7	82	76	73.7	70.9	67.5	63	57	49.7	41	31.2	20.1	9.5
-	U 9...-450/8 T	4.5	3.31	-	3.67	-	6.4	94.5	88.4	86	83	79.4	74.7	68	59.8	49.8	38.9	27	11.6
-	U 9...-500/9 T	5	3.7	-	4.03	-	6.9	105.4	98.9	96.1	92.7	88.5	82.8	75	65.4	54.5	41.8	28	12.5
-	U 9...-550/10 T	5.5	4	-	4.57	-	8.3	117.6	111	108.4	105.3	101.1	95.1	87.2	76.7	64.8	51.2	36.4	20.1

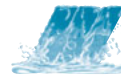
Modello - Model		P2		P1 (kW)	Ampere		Q (m³/h - l/min)																	
3-	(HP)	(kW)	3-	3-	1-	3-	0	6	7.2	8.4	9.6	10.8	12	13.2	14.4	15.6	16.8	18	19.2	20.4	21.6	22.8	24	
							0	100	120	140	160	180	200	220	240	260	280	300	320	340	360	380	400	
230/400V - 50Hz		H (m)																						
U 18...-250/3 T	2.5	1.85	2.19	4.3	35	32.7	32.2	31.4	30.5	29.5	28.3	26.7	25.5	24.3	22.8	21.2	19.3	17.3	15.1	12.9	10.8			
U 18...-400/4 T	4	3	2.99	5.5	47.2	44.6	44.1	43.3	42.4	41.2	40	38.5	36.7	34.9	32.9	30.5	27.9	25.3	22.7	20	17.1			
U 18...-450/5 T	4.5	3.31	3.68	6.6	57.8	54.8	54.2	53.3	52.1	50.8	49.2	47.6	45.4	43.2	40.6	37.7	34.7	31.5	28.2	24.8	21.4			
U 18...-550/6 T	5.5	4	4.51	8.7	70	66.6	66.1	65.4	64.3	63	61.2	59.1	56.8	54.2	51.3	47.6	44	40.2	36.5	32.4	28.4			
U 18...-750/8 T	7.5	5.5	5.5	10.7	96.1	92.6	91.5	90.1	88.5	86.6	84.4	81.6	78.3	74.5	69.8	64.7	59.1	53.3	46.9	40.5	34.3			
U 18...-900/9 T	9	6.6	6.6	12.8	108.0	103.6	102.3	100.8	99.0	96.9	94.1	91.1	87.5	83.0	78.3	72.6	66.2	59.6	52.6	45.5	38.3			
U 18L-850/10 T •	8.5	6.3	6.3	12.6	120.7	115.6	114.5	112.7	110.4	107.4	103.9	100.3	96	91.2	85.5	78.3	70.8	63.1	55.5	47.5	39.1			
U 18L-1000/11 T •	10	7.5	7.5	14.6	134.3	129	128.2	126.8	124.7	122.1	119.1	115	110.6	105.7	99.6	92.1	83.6	75.7	67.3	59.1	50.7			

• Disponibile solo in versione L / Available L version only



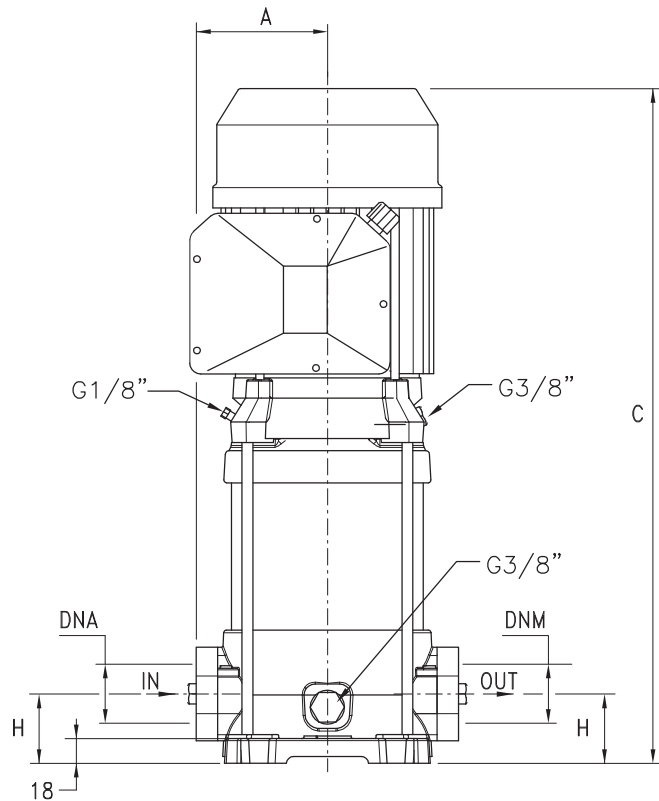
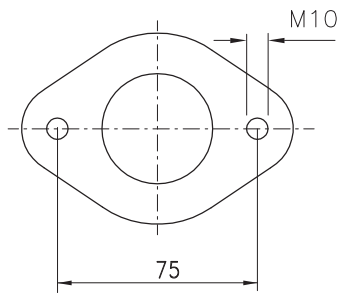
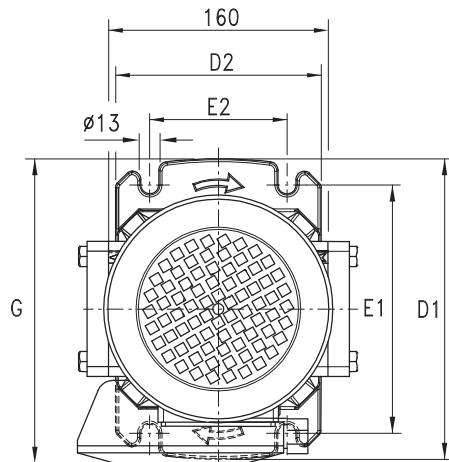
# ULTRA V/L





ELETTROPOMPE MULTIGIRANTI VERTICALI CON GIRANTE E DIFFUSORI NORYL®  
 NORYL® IMPELLERS AND DIFFUSERS VERTICAL MULTISTAGE ELECTRIC PUMPS

ULTRA 5 - 7/L



Modello <i>Model</i>	Dimensioni - <i>Dimensions</i>								Peso <i>Weight</i> kg	DNA G	DNM G
	A	C	D1	D2	E1	E2	G	H			
U 5L-150/5	98	459	220	150	180	100	228	50	18.4	1" 1/4	1" 1/4
U 5L-180/6	98	483	220	150	180	100	228	50	20.7		
U 5L-200/7	98	507	220	150	180	100	228	50	21.6		
U 5L-250/8	98	531	220	150	180	100	228	50	23.4		
U 5L-280/9	98	M 600 T 555	220	150	180	100	M 236 T 228	50	24.0		
U 5L-300/10	98	M 624 T 579	220	150	180	100	M 236 T 228	50	26.3		
U 5L-350/11	98	648	220	150	180	100	236	50	26.7	1" 1/4	1" 1/4
U 7L-180/4	98	435	220	150	180	100	228	50	29.7		
U 7L-250/5	98	459	220	150	180	100	228	50	21.0		
U 7L-300/6	98	M 528 T 483	220	150	180	100	M 236 T 228	50	23.0		
U 7L-350/7	98	552	220	150	180	100	236	50	25.5		
U 7L-400/8	98	576	220	150	180	100	236	50	25.9		
U 7L-450/9	98	633	220	150	180	100	251	50	28.8		
U 7L-550/10	98	657	220	150	180	100	251	50	33.3		